

18 TON

for Ste **47TJJ**

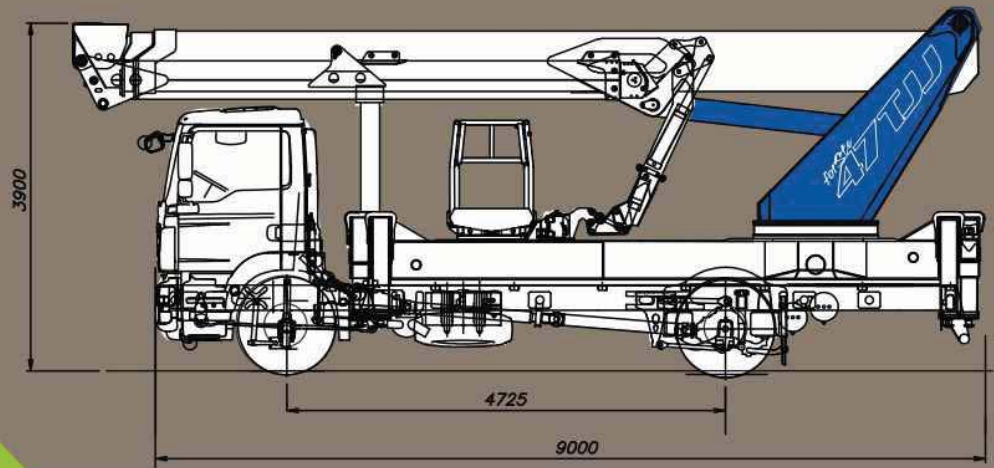
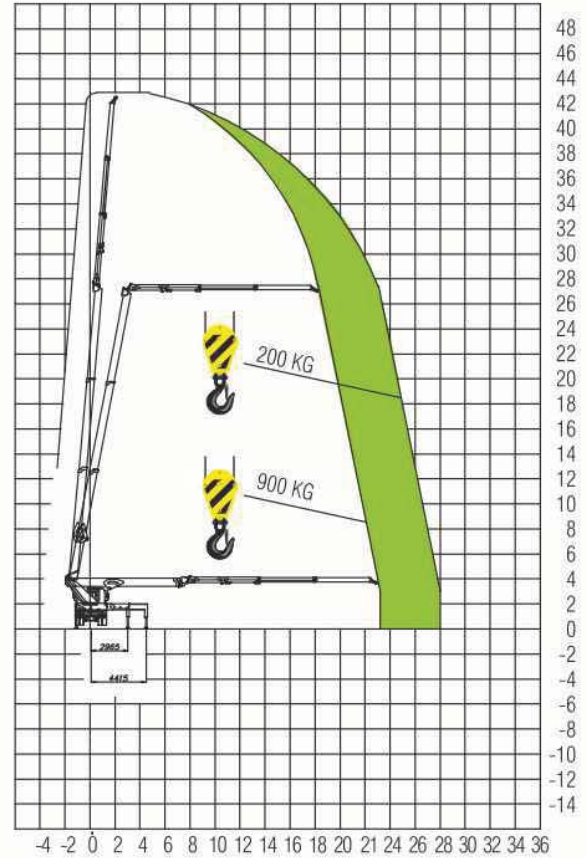
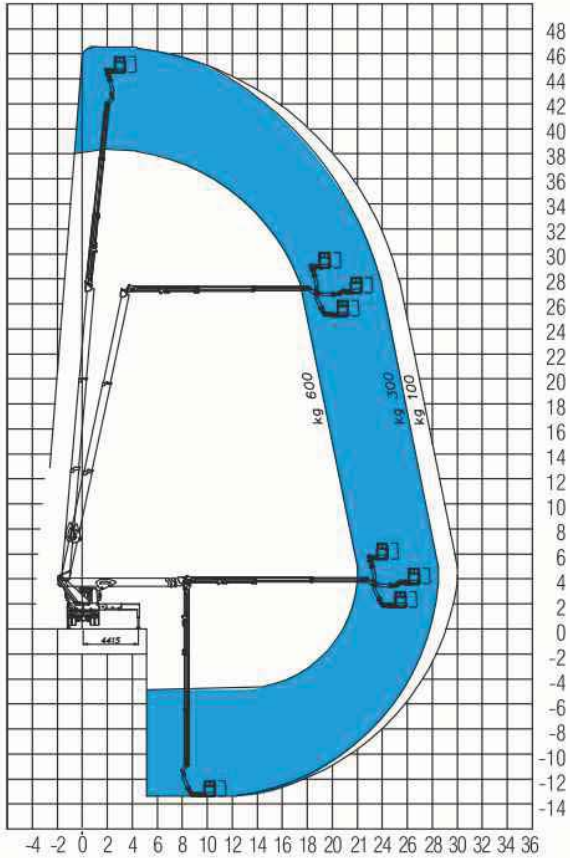


47,00 m

45,00 m

30,00 m

600 kg



230x360x90x110

900 kg

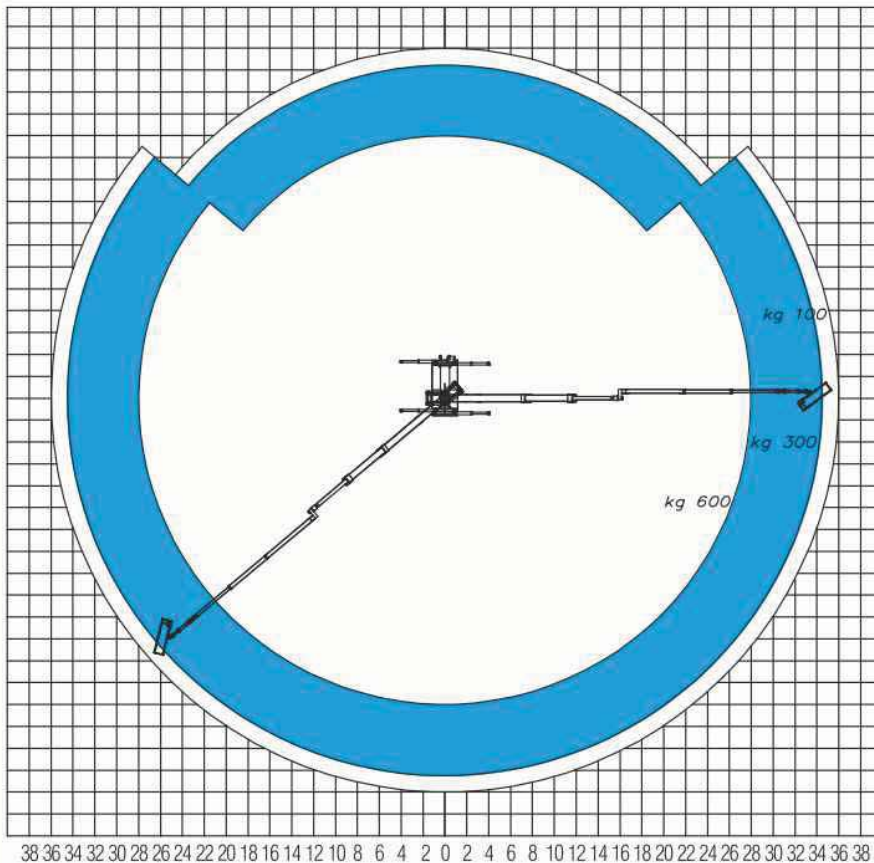
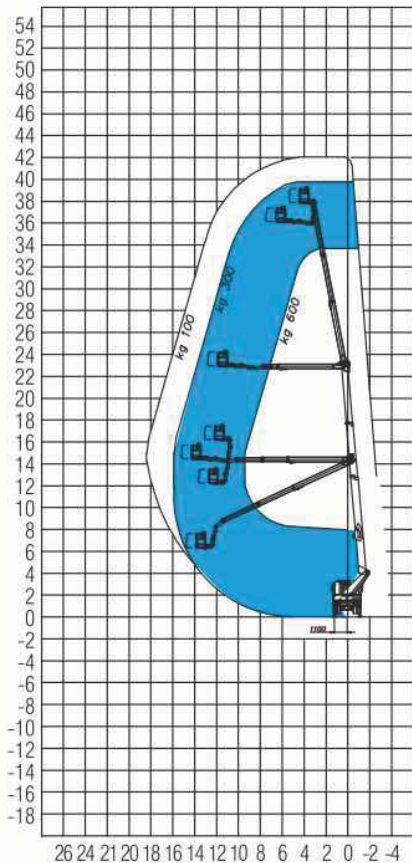
700°

aluminium

360°

electro

HE+HE



26 TON

for Ste
47TJJ

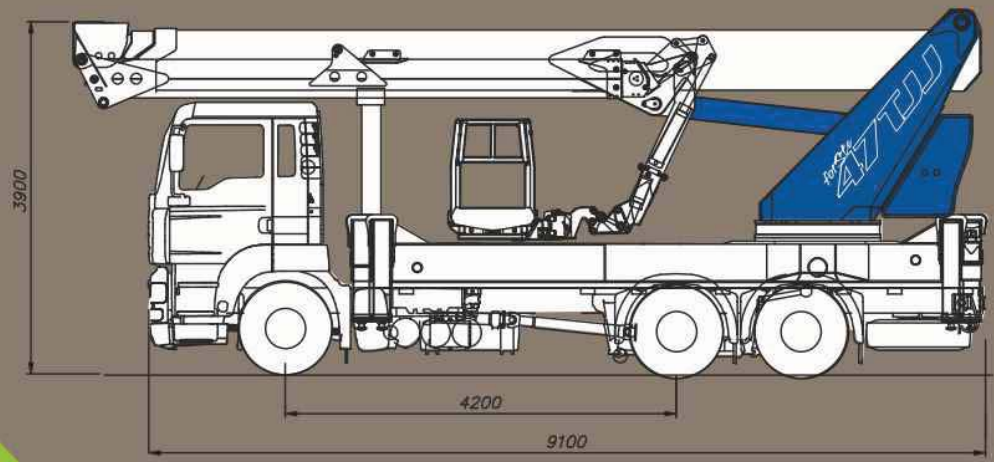
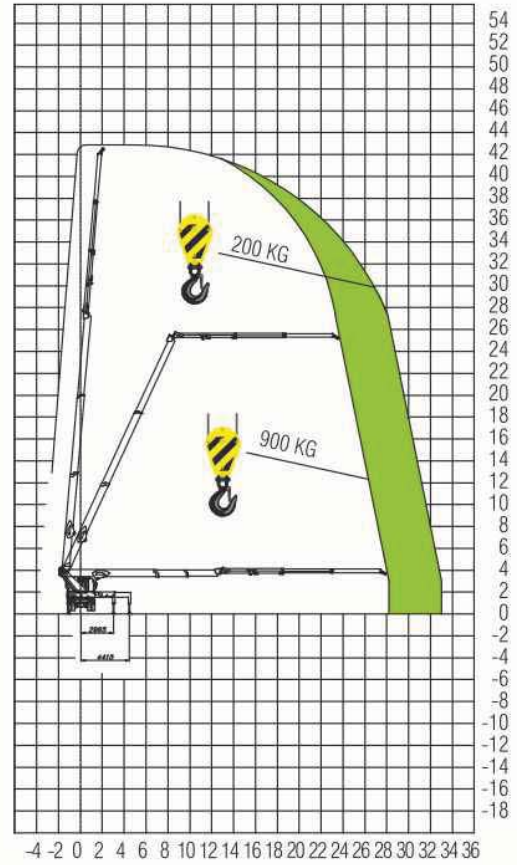
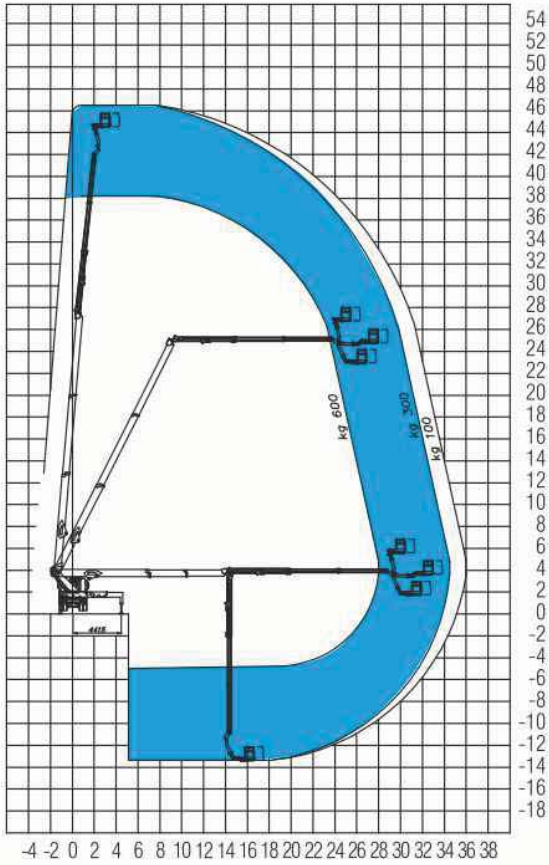


47,00 m

45,00 m

36,00 m

600 kg



230x360x90x110

900 kg

700°

aluminium

360°

electro

HE+HE